

# Trim Chopper

## QDC-67

**The Trim Chopper is designed for use in a pneumatic conveying system to cut paper, film, foil, nonwoven and other continuous trim materials in pieces.**

Quickdraft can provide a customized conveying solution for your operating needs. We're experienced with conveying virtually any material, including paper, film, plastics and polymers of all kinds, nonwovens, fiberglass, rubber, etc. Even the most difficult materials including those with exposed adhesive can be pneumatically conveyed.

Our Venturi-powered systems help to enhance productivity, make the best use of your space, and virtually eliminate costly maintenance and downtime. If your application allows for trim to be collected close to the machine, we also have a variety of pre-engineered, stand-alone trim conveying systems to precisely meet your specific requirements.



Foil



Film



Plastic



Paper

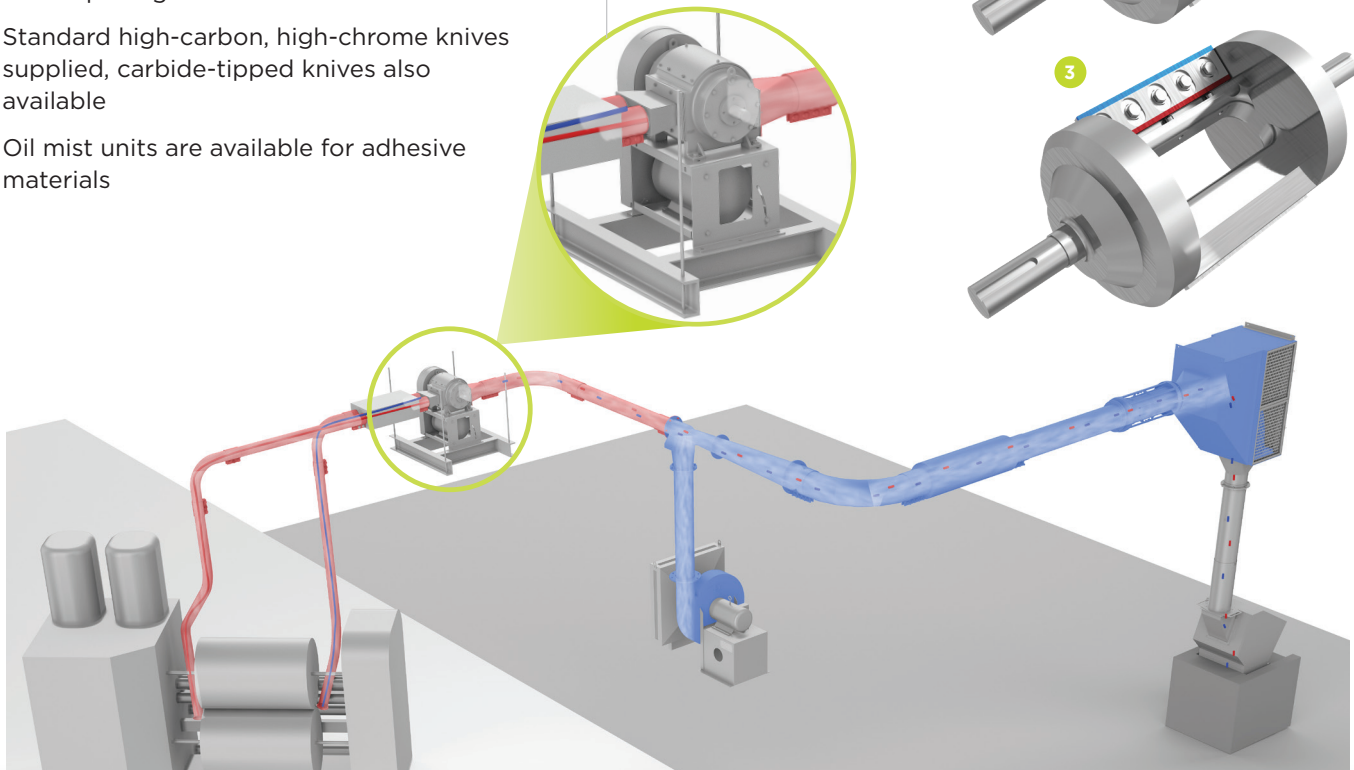
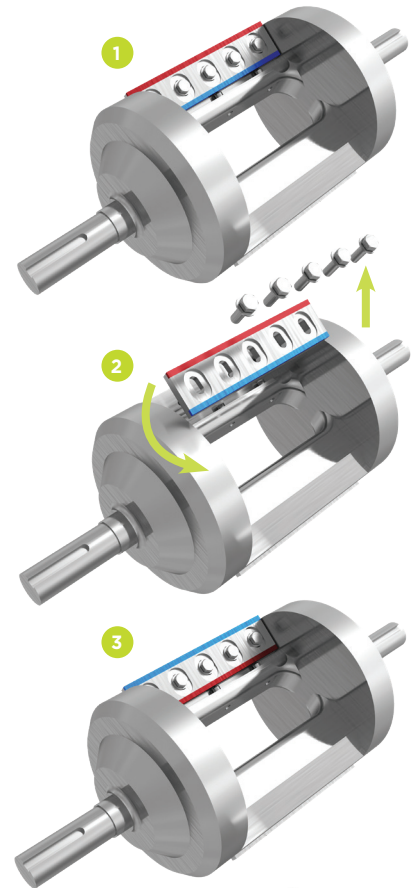
# Trim Chopper QDC-67

Designed for use in a pneumatic conveying system to cut paper, film, foil, nonwoven and other continuous trim materials in pieces.

## Features and Benefits

- Precision bearings and single-cast housing design allows for consistent cuts
- Controls cut length
- Low static loss
- Cuts a variety of material thicknesses
- Gap adjustment to less than 0.0005" possible for both stationary and rotating knives
- Reversible blades increase knife life and reduce sharpening requirements
- Individual knives are removable for re-sharpening
- Standard high-carbon, high-chrome knives supplied, carbide-tipped knives also available
- Oil mist units are available for adhesive materials

Reversible blades increase knife life and reduce sharpening. First, remove the bolts that hold the blade in place. Then the blade can be removed and reversed to reveal a new, sharp edge. Replace the bolts. This extends the life of the knife and allows for clean cuts.



Chopper Eductor System